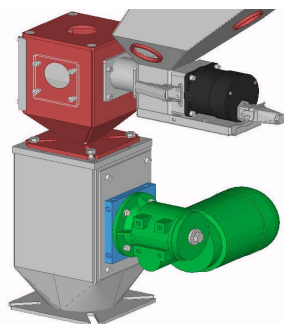


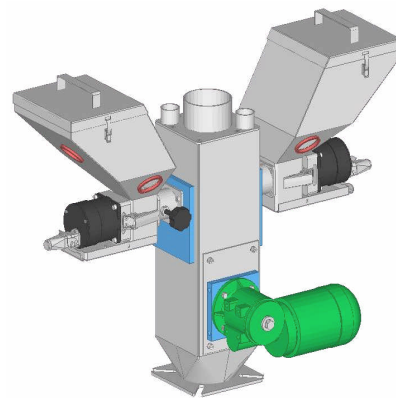
MC-Mixers product information



Color in Control



Mix50, premixer with NST40 neckpiece



PET premixer Mix2PHA,
2 flanges for PET resin
flexhose

Postal address

P.O. Box 3016 • 8600 DA Sneek
The Netherlands

Physical address

Koperslagersstraat 31 • 8601 WL Sneek
The Netherlands

Phone/Fax

Ph: +31 (0) 515 570020
Fax: +31 (0) 515 570021

E-mail/Internet

info@movacolor.com
www.movacolor.com

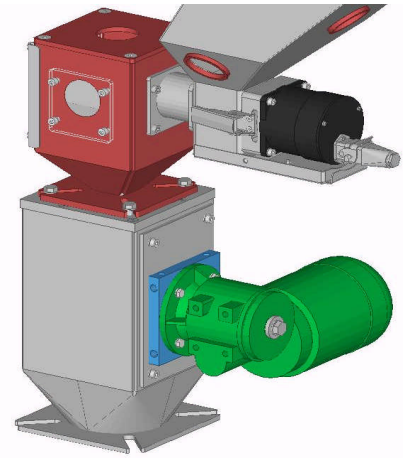
Mixers

For the most demanding applications for both injection molding and extrusion applications, Movacolor has a complete range of motorized mixers. The mixers, including all inner parts, are made of robust stainless steel. The compact horizontal mixer is available as single mixer or combined water-cooled neckpiece mixer. It performs a perfect job in homogenization and coating of low melting colors or additives.

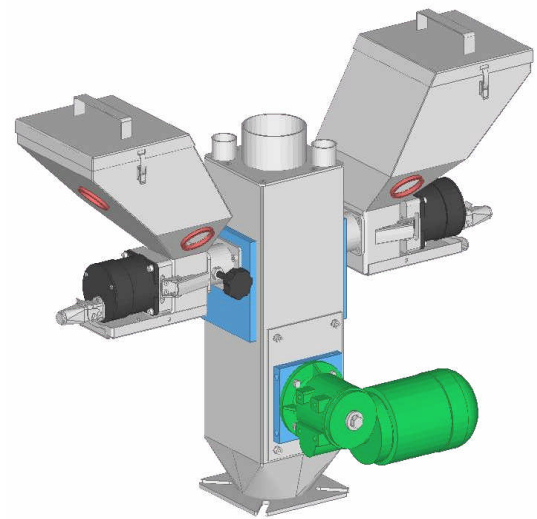
How it works

The mixers are designed with user friendliness in mind and are easy to clean. Simply take out the 3 phase motor with the counter rotating mixer blades and the job is done.

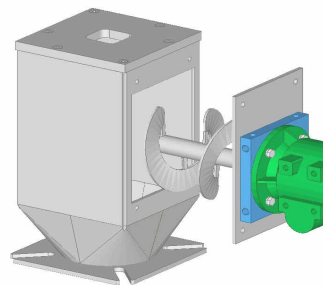
Especially for PET applications Movacolor developed the mixer with integrated water cooled flanges. There are basically 2 types available. 50 mm outlet for small PET processors and 90 mm for large PET processing machines. Both types can be optionally ordered with double water cooled flange for mounting 2 Movacolor dosing stations.



Mix50, premixer with NST40 neckpiece



PET premixer Mix2PHA,
2 flanges for PET resin flexhose



Easy cleaning

Technical specifications

Power requirements	3-phase 400 VAC 50/60Hz
Current (A) at 400V Y	1,35 (A)
Motor power	0,25 kW
Roration Speed	72 RPM
Operation type	S1 (full continues)
Protection class	IP – 65
Material housing + mixer blades	ANSI-304 Stainless steel