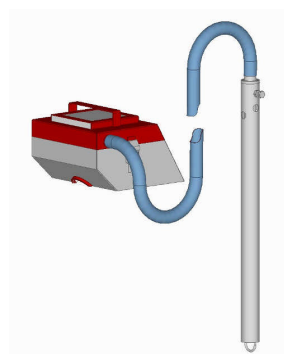


## ME-Hopper Loader product information



Color in Control



ME Hopper  
Loader

**Postal address**  
P.O. Box 3016 • 8600 DA Sneek  
The Netherlands

**Physical address**  
Koperslagersstraat 31 • 8601 WL Sneek  
The Netherlands

**Phone/Fax**  
Ph: +31 (0) 515 570020  
Fax: +31 (0) 515 570021

**E-mail/Internet**  
info@movacolor.com  
www.movacolor.com

## Movacolor ME Hopper Loader

Movacolor dosing units are capable of handling a variety of dry materials. Two different filling systems are available depending on the properties of the material.

- The Movacolor Ejector (ME) system for dust-free or nearly dust-free materials.
- The Movacolor Vacuum (MV) system for materials that are NOT entirely dust-free.

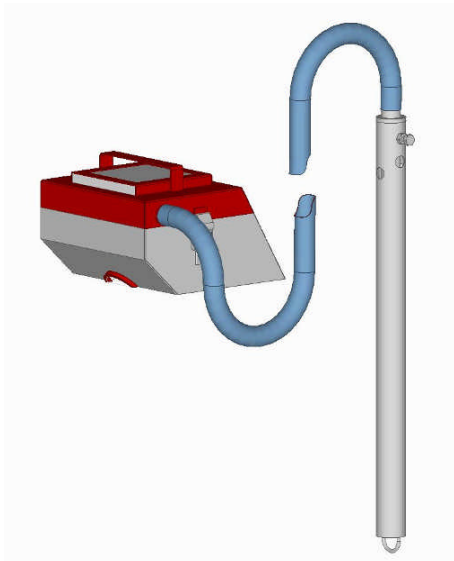
The ME system is driven by low-pressure compressed air and mounted directly on top of the hopper lid of the Movacolor dosing unit. The MC-18, MC-30 and MC-Balance controllers all control operation of the ME system.

All parts are aluminum or stainless steel and are virtually maintenance-free. Only the filter needs to be cleaned periodically. To increase reliability and safety, there are no moving parts.

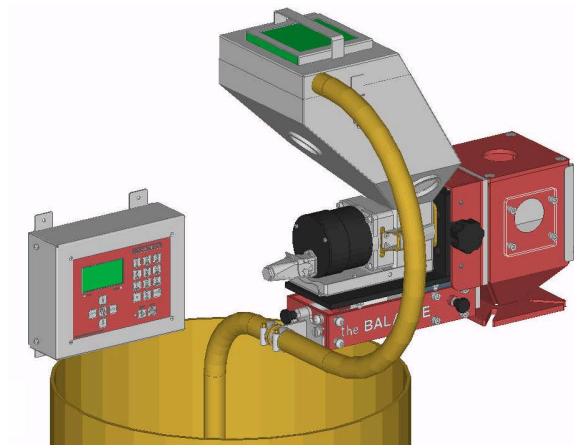
### How the ME system works

The ME system blows the material from the bag, drum or container to the hopper of the dosing unit. The hopper lid of the housing has a simple and easy-to-clean dust filter to keep any dust particles in the hopper.

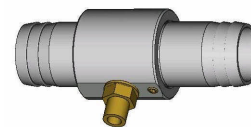
The system is triggered by a low-level sensor mounted in the hopper of the dosing unit. The sensor also generates a low-level alarm, when the system is used in combination with a volumetric dosing device. When the system is used with a gravimetric system, the digital weighing unit will provide the adjustable trigger signal.



ME Hopper Loader



ME Hopper Loader  
For loading of granular material  
mounted on MC-Balance



ME-Booster (25 and 38 mm)  
for heights over 3 mtr.